



ADVANCECUT 45 PLASMA CUTTER

OPERATING INSTRUCTIONS



👉 IMPORTANT!

To qualify for full 36 month warranty, you must register within 30 days of purchase. See inside for details.

Read these Operating Instructions Completely before attempting to use this machine. Save this manual and keep it handy for quick reference. Pay particular attention to the safety instructions we have provided for your protection. Contact your distributor if you do not fully understand anything in this manual.



230V 50HZ
SINGLE
PHASE



IGBT
INVERTER
TECHNOLOGY



DIRECT
CURRENT
OUTPUT



POWER
FACTOR
CORRECTION



SPIKE/
GENERATOR
SAFE



INTELLIGENT
PROTECTION
SYSTEM



IP23 CORROSION
& SALT SPRAY
RESISTANT



MULTI-VOLTAGE
INPUT POWER



ADVANCECUT 45

Congratulations & thank you for choosing Strata

Strata provides market leading value, features and durability. Strata machines have been designed with emphasis on robust construction, with simple and functional operation.

Register Your Warranty Now

Standard warranty without registration is 12 months.

To qualify for an extended full 36 month warranty on your purchase you must register within 30 days of purchase.

You will need;

- a) A copy of your purchase invoice / receipt.
- b) Your machine serial number which can be found on the technical data plate on the back of the machine, or on the outside of the box that your machine came in.



ADVANCECUT 45

CONTENTS

1	CONTENTS.....	2
2	BASIC SPECIFICATIONS	5
3	KNOW YOUR MACHINE.....	6
3.1	Machine Front	6
3.2	Machine Rear	6
3.3	Control Panel	7
3.4	Symbols chart.....	8
4	CONTROLS EXPLAINED.....	9
4.1	Cutting Mode Selection.....	9
4.1.1	Test Air.....	9
4.1.2	Normal Cutting.....	9
4.1.3	Perforated Cutting.....	9
4.2	Amperage Adjustment	9
4.3	Setting Air Pressure	10
4.4	Air Filter / Water Separator.....	10
4.5	Error/Over Temperature Indicator Light.....	11
4.6	Torch Error Light.....	11
4.7	Cutting Active Light	11
5	POWER & COMPRESSED AIR SUPPLY	12
5.1	Electrical Connection.....	12
5.2	Extension Leads.....	12
5.3	Generator Use	12
5.3.1	Generator Size.....	12
5.3.2	Generator Quality & Warranty Limitations	12
5.3.3	3 Golden Rules of Generator use	12
5.4	Compressed Air Requirements.....	13
5.4.1	Air Filtration	13
5.4.2	Air Compressor / Air Supply.....	13
5.4.3	Air Hose & Fittings.....	13
6	OPERATING ENVIRONMENT.....	14
6.1	Location.....	14
6.2	Ventilation	14
7	BASIC OPERATION	15
7.1	Setup	15
7.2	Cutting.....	15
7.3	Distance from the Tip to the Work Piece	16



ADVANCECUT 45

7.4	Travel Speed	16
7.5	Piercing the work piece	17
7.6	Direction of Cut	17
7.7	Reducing Dross for Clean Cuts.....	18
8	ACCESSORIES, SPARE PARTS & CIRCUIT DIAGRAMS.....	19
8.1	Plasma Torch and Spares:.....	19
8.2	Plasma Torch Pin Configuration.....	20
8.3	Machine Spare Parts.....	20
8.4	Primary Schematic Circuit Diagram.....	22
9	CARE & MAINTENANCE.....	23
9.1	Keep your Plasma Cutting Machine in Top Condition	23
9.2	Storing the Plasma Cutter	23
10	GENERAL GUIDE TO PLASMA CUTTING	24
10.1	How does Plasma Cutting work?.....	24
10.2	Duty Cycle Rating	24
10.3	Pilot Arc System.....	24
10.4	Plasma Torch Parts Wear & Replacement	25
11	TROUBLESHOOTING	26
12	KNOWLEDGE & RESOURCES.....	27
13	SAFETY	28
13.1	Store and Retain this Manual	28
13.2	Important Safety Information	28
13.3	General Safety Warnings	28
13.4	Plasma Cutting Safety Instructions & Warnings	30
13.4.1	Personal Safety.....	31
13.4.2	Arc Rays can Burn Eyes and Skin	31
13.4.3	Noise Can Damage Hearing	31
13.4.4	Work Environment Safety	32
13.4.5	Electricity Can Kill.....	32
13.4.6	Fumes And Gases.....	33
13.4.7	Fire & Explosive Risks.....	33
13.4.8	Sparks & Hot Metal	34
14	WARRANTY	35



ADVANCECUT 45

2 BASIC SPECIFICATIONS



Description	Strata AdvanceCut45
Part Number	AdvanceCut45
Dimensions of Power Source (L x W x H)	550 x 215 x 415mm (including handle)
Weight of Power Source	8kg
Standard	AS 60974.1
Power Supply	240V +/- 15% 50hz Single Phase
Factory Fitting Supply Plug Rating	15A
Effective Input Current (I_{1eff})	15A
Maximum Input Current (I_{1max})	21A
Output Terminal (Earth)	Dinse™ style 35-50
Protection Class	IP23
Cutting Current Output	20 – 40A
Duty Cycle	40A @ 44% 30A @ 100%
Nominal Open Circuit (pilot arc) Voltage	210V

Table 1

For full machine specifications, refer to technical data plate on base of machine – or go to: strata.co.nz

3 KNOW YOUR MACHINE

3.1 Machine Front

1. Carry Handle
2. Control panel
3. Plasma Torch Central Connector (Negative (-))
4. Earth Lead Connection Socket (Positive (+))

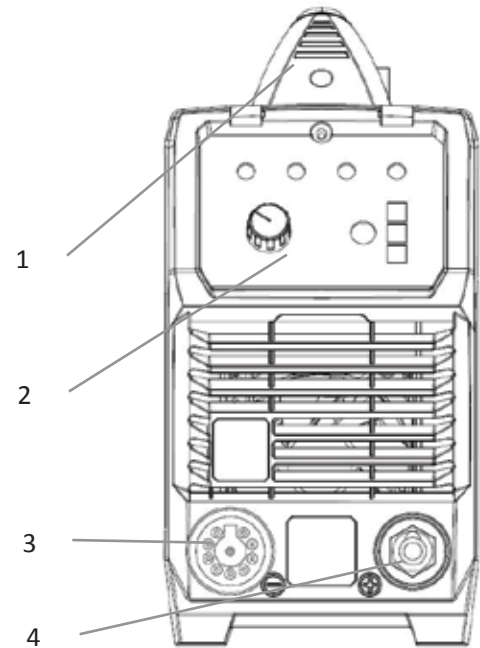


Figure 1

3.2 Machine Rear

5. 240V AC Mains Power Input Lead
6. Mains Power Switch
7. Air Regulator Adjustment Knob
8. Air Regulator Gauge
9. Compressed Air Inlet Connection
10. Air Regulator
11. Air Filter Bowl
12. Air Filter Moisture Drain Tube

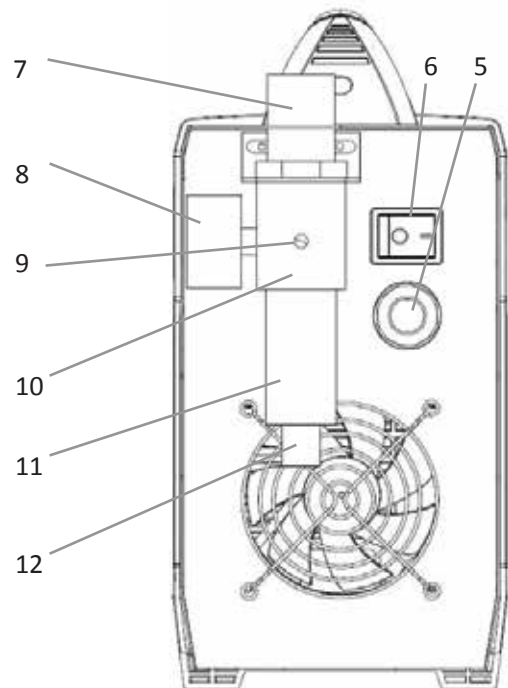


Figure 2

3.3 Control Panel

- 13. Power Indicator Light
- 14. Amperage Knob
- 15. Mode Selection Button
- 16. Perforated Sheet Cutting Mode Indicator Light
- 17. Normal Cutting Mode Indicator Light
- 18. Air Test Mode Indicator Light
- 19. Cutting Active Indicator Light
- 20. Torch Error Indicator Light
- 21. Error/Over Temperature Indicator Light

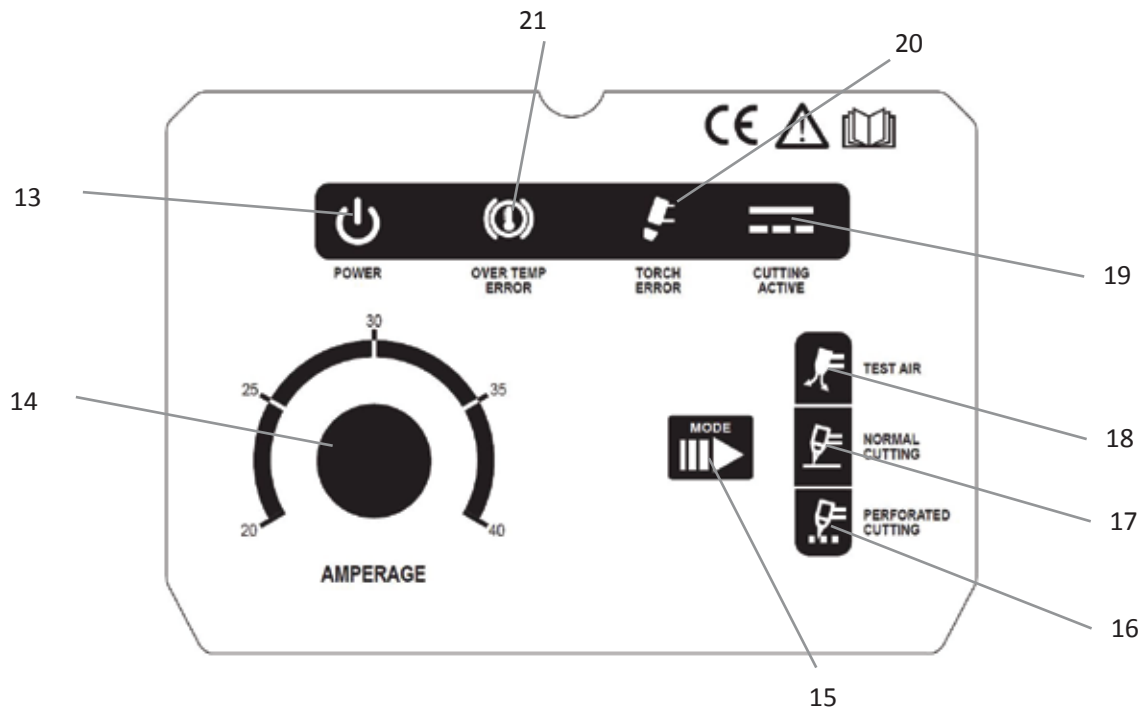


Figure 3



ADVANCECUT 45

3.4 Symbols chart

	Power On
	Power Off
	Power On Indication
	Fault Indication
	Caution / Hazard
	Read Instruction Manual
	Air Test Mode
	Normal Cutting Mode
	Perforated Plate Cutting Mode
	Torch Error
	Cutting Active
	Single phase Inverter power source DC

	Plasma Cutting Function
	Power Supply Connection
	Single Phase
	Direct Current (DC)
	Negative
	Positive
	Hertz (cycles/sec)
	Duty Cycle
	Amperage (Current)
	Voltage

Table 2



4 CONTROLS EXPLAINED

4.1 Cutting Mode Selection

1. Press 'Mode' selection button (15) until the desired Cutting Mode Indicator Light (16, 17 or 18) is lit.

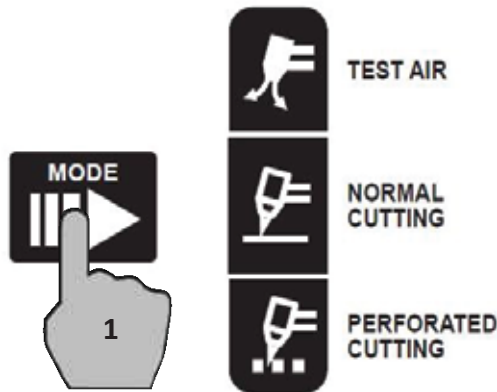


Figure 4

4.1.1 Test Air

In 'Test Air' mode the compressed air control valve is open continuously. This is useful for testing and setting the air pressure without having to activate the trigger circuit.

4.1.2 Normal Cutting

This is the standard cutting mode for cutting.

4.1.3 Perforated Cutting

This is the cutting mode is used for cutting perforated plate or expanded mesh. In this mode the plasma arc will be maintained while the torch is passing over the holes or expansions.

If Normal Cutting mode was used the plasma arc would extinguish when it reached each hole or expansion.

4.2 Amperage Adjustment

1. Rotate Amperage Knob (14) to desired amperage setting.

NOTE: In most applications maximum amperage will work best. On very thin material or delicate applications you may wish to turn the amperage down.

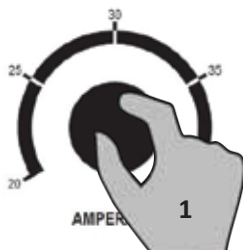


Figure 5

4.3 Setting Air Pressure

Correct air pressure is critical for plasma cutting. Incorrect air pressure will cause poor cut quality, lack of cutting power, damage to the plasma torch and consumables and potentially damage the power source. Optimum air pressure is between 0.45 and 0.5 MPa (65-75psi). Air pressure should be set with the air flowing through the torch, as the pressure with the air flowing will normally be less than static pressure, due to flow losses through the torch system.

1. Set Cutting Mode to 'Test Air' to begin air flow through the torch.
2. Lift the Air Regulator Adjustment Knob (7) up to unlock it
3. Rotate Air Regulator Adjustment Knob (7) adjust air pressure whilst reading the air pressure on the Air Regulator Gauge (8). Turning clockwise will increase pressure, turning counter-clockwise will decrease pressure.
4. Once correct Air Pressure is set push the Air Regulator Adjustment Knob (7) down to lock it in position.
5. Change Cutting Mode selection to desired cutting Mode to stop air flow.

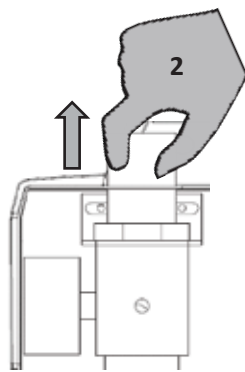


Figure 6

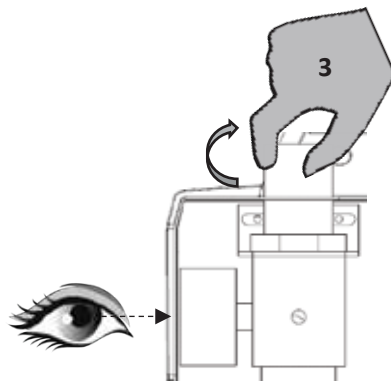


Figure 7

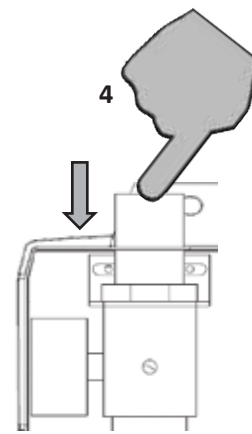


Figure 8

4.4 Air Filter / Water Separator

As with correct air pressure, clean, dry air is also critical for plasma cutting machine performance and reliability. Moist or dirty air will significantly reduce cut quality and consumable life.

The Strata AdvanceCut45 is supplied with a basic air filtration/moisture separator to assist with providing suitable air supply. The moisture separator is self-draining, the Air Filter Moisture Drain Tube (12) exits out the bottom of the clear Air Filter Bowl (11). It is normal to see moisture coming from this tube periodically. If excessive amounts of water or oil are being produced in the bowl and drain line, the compressed air supply should be checked for issues.



ADVANCECUT 45

4.5 Error/Over Temperature Indicator Light

Error/Over Temperature Indicator Light (21) illuminates when duty cycle is exceeded and thermal protection is activated. When thermal protection is activated, plasma cutting output will be disabled until machines cools sufficiently and overload indicator lamp goes out. This may also activate if there are electronic circuit failure issues.

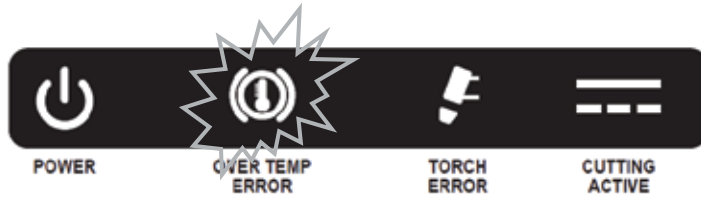


Figure 9

4.6 Torch Error Light

The Torch Error Light (20) illuminates when there is an issue detected with torch system or air supply. For safety and protection of the operator and the torch, cutting output is disabled when this is illuminated.

Flashing light means that torch shield cap is not installed.

Continuous light means likely damaged or missing torch consumables or insufficient air pressure supply to the torch.

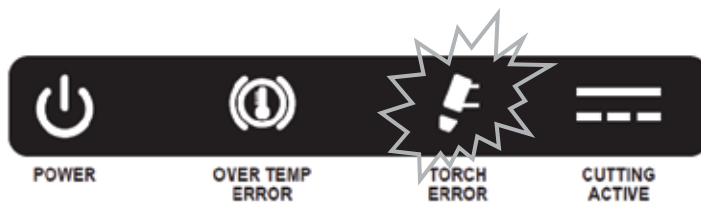


Figure 10

4.7 Cutting Active Light

The Cutting Active Light (19) illuminates when the cutting power circuit is activated.

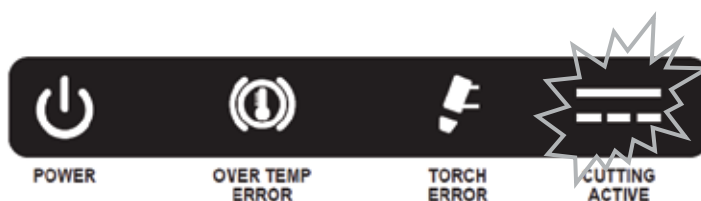


Figure 11



5 POWER & COMPRESSED AIR SUPPLY

5.1 Electrical Connection

The AdvanceCut45 is designed to operate on a 15A 240V AC power supply.

5.2 Extension Leads

If an extension cord must be used, it should be minimum cable core size 2.0mm² for length of up to 10m, or minimum 2.5mm² for lengths over 10m.

Using extension leads of over 100m is not recommended.

5.3 Generator Use

This machine is designed with generator use in mind and incorporates wide voltage tolerance and intelligent voltage sensing technology to provide maximum protection from power fluctuations that can occur with motor generators.

5.3.1 Generator Size

Generator size should be not less than 8kva. A 10kVa generator will not provide enough power to enable full output and duty cycle of this plasma cutter. However, it should provide sufficient power for lighter cutting and short runs.

To enable full output and duty cycle of this plasma cutter a recommended generator size is minimum 10kVa.

5.3.2 Generator Quality & Warranty Limitations

Avoid using poor, low quality generators as these have the greatest risk of power spikes etc. A suitable quality generator should have a THD (total harmonic distortion) rating of no more than 6%. Most reputable generator suppliers will be able to specify the THD ratings on their product.

Any damage caused by poor quality generator power supply or incorrect use is not covered under warranty.

5.3.3 3 Golden Rules of Generator use

When running an inverter plasma cutter off a generator there are 3 **VERY IMPORTANT** Golden Rules that **MUST** be followed:

1. Do **NOT** plug plasma cutter into generator until **AFTER** generator has been started up and is running smoothly
2. **UNPLUG** plasma cutter from generator **BEFORE** shutting generator down/turning generator off
3. **NEVER** let your generator run out of fuel whilst the plasma cutter is plugged in.

Following these Golden Rules will significantly reduce the risk of any damage resulting from generator power supply.



ADVANCECUT 45

5.4 Compressed Air Requirements

A reliable and consistent supply of clean, dry compressed air is essential for proper operation.

5.4.1 Air Filtration

Although the machine contains its own internal air supply filtration system it is recommended the compressed air supply should have external filtration in the line feeding the machine, both a standard water trap (sintered bronze filter) and also a coalescing filter (for oil in air). The air must be dry and free of oil and moisture (often a symptom of older, worn out compressors).

5.4.2 Air Compressor / Air Supply

The air requirement is a minimum of 120 l/min (4.5cfm) Free Air Delivery (FAD) at 75psi pressure. This normally means the compressor must be a belt drive model or if a direct drive it must have a motor power of 2.5HP or greater.

5.4.3 Air Hose & Fittings

The air hose must also be of sufficient size (3/8" / 10mm minimum) to supply the machine.



6 OPERATING ENVIRONMENT

6.1 Location

The machine has electrical components and control circuit boards which may be damaged by excessive moisture, dust and dirt, so a clean and dry operating environment is important for reliable product life.

The enclosure design of this power source meets the requirements of IP23S as outlined in AS60529. This provides adequate protection against solid objects (greater than 12mm), and direct protection from vertical drops. Under no circumstances should the unit be operated or connected in a micro environment that will exceed the stated conditions. For further information please refer to AS 60529.

6.2 Ventilation

Adequate ventilation is required to provide proper cooling for the machine. Ensure that the machine is placed on a stable level surface where clean cool air can easily flow through the unit.



7 BASIC OPERATION

7.1 Setup

1. Connect the earth cable quick connector to the Earth Connection Socket (4).
2. Connect the earth clamp to the work piece. Contact with the work piece must be firm contact with clean, bare metal, with no corrosion, paint or scale at the contact point.
3. Connect the plasma torch to the Plasma Torch Central Connector (3) ensuring the collar is done up firmly.
4. Connect the machine to suitable mains power using the Mains Power Input Lead (5).
5. Switch the Mains Power Switch (6) to 'on' (I) to power up the machine.
6. Connect the compressed air supply to the Compressed Air Inlet Connection (9).
7. Set the air pressure (Refer to: 4.3- Setting Air Pressure)
8. Set the required cutting mode (Refer to: 4.1- Cutting Mode Selection)
9. Set the required Amperage (Refer to: 4.2 - Amperage Adjustment)
10. You are now ready to cut!

7.2 Cutting

1. Hold the Spacer on the work piece, so the centre of the Torch Tip is aligned to the edge of the material.
2. Pull the torch Trigger (compressed air flow will start and the electronic ignition arc should energize)
3. As the ignition arc jumps to the work piece, the main plasma arc will ignite and start cutting.
4. After starting the cut, the Spacer can be dragged along the work piece.
5. When ending a cut, the torch Trigger should be released and lifted off the work piece just before the end of the cut to minimize double-arcing which can damage the tip. This is to prevent the ignition arc from reigniting after cutting arc extinguishes.
6. Compressed air will continue to flow through the torch for several seconds after the cutting stops. In this post-flow mode, the arc can be restarted immediately by depressing the torch switch.



Figure 12



ADVANCECUT 45

7.3 Distance from the Tip to the Work Piece

The distance from the torch tip to the material being cut should be about 2mm. The Strata plasma torch is fitted with a spacer that sits on the material and holds the tip at the optimum distance from the material. This spacer can be removed to access tight spots. In this case the operator simply needs to manually hold the tip about 2mm from the material.

7.4 Travel Speed

The speed at which the torch moves will significantly influence the quality of the cut.

Correct Speed – When travelling at the correct speed the kerf out the bottom of the material should either be perpendicular or lag *behind* at an angle up to 15°. The result should be a clean cut with limited dross.

Too Fast – this will either not cut right through the material or the kerf will lag *behind* at an angle greater than 15°.

Often this will create excess 'top dross' on the top of the material. Any dross on the bottom of the cut will likely be 'High-speed dross' which is very hard and difficult to remove.

Too Slow – the kerf will lean *forwards* out the bottom of the plate. This will also create a lot of 'low-speed dross' on the bottom of the cut. Low-speed dross is soft and easy to chip off.

If speed is excessively slow the arc may lose contact with the material and extinguish or drop out temporarily.

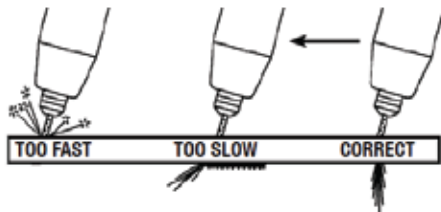


Figure 13



ADVANCECUT 45

7.5 Piercing the work piece

The torch should be angled at about 30° when starting to pierce, and then straightened as the arc penetrates the material. This will blow the molten material away from the torch so it is not forced directly back at the tip which will cause excessive wear or damage.

It is advisable when piercing thicker materials to drill a small pilot/starting hole in the work piece which makes it a lot easier and gives increased tip life.

7.6 Direction of Cut

The plasma gas stream swirls as it leaves the torch to maintain a smooth column of gas. This swirl effect results in one side of a cut being squarer than the other.

Viewed along the direction of travel, the right side of the cut is more square than the left.

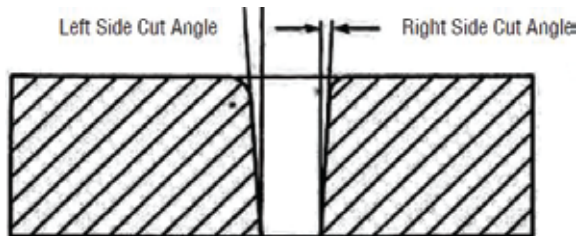


Figure 14

To make a square-edged cut along an inside diameter of a circle, the torch should move counter clockwise around the circle. To keep the square edge along an outside diameter cut, the torch should travel in a clockwise direction.

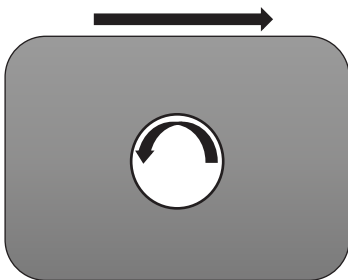


Figure 15



ADVANCECUT 45

7.7 Reducing Dross for Clean Cuts

Dross (slag) is the excess material that spatters and builds up on the underside of the work-piece as you cut. Dross occurs when the operating procedure and technique is less than optimal. It will require practice and experience to obtain cuts without dross. Although less than optimal cuts will contain dross, it is relatively easy to remove by breaking it off using pliers or chipping off with a chisel or scraping or grinding the finished cut as needed and is generally only a minor inconvenience.

A combination of factors contributes to the build-up of dross. They include; material type, material thickness, amperage used for the cut, speed of the torch across the work-piece, condition of the torch tip, input line voltage, air pressure, etc. Generally there is an inversely proportional relationship between output current and speed of cut. Do not use more output current than is necessary and adjust speed of cut toward minimizing dross build-up on underside of cut. Experiment with adjusting current and speed to minimize dross.

When dross is present on carbon steel, it is commonly referred to as either 'high speed', 'low speed', or 'top dross'.

'Top dross' is present on top of the plate and is normally caused by too great a torch to plate distance or too fast travel speed. It is normally very easy to remove and can often be wiped off with a welding glove.

'Low speed dross' is normally present on the bottom edge of the plate. It can vary from a light to heavy bead, but does not adhere tightly to the cut edge, and can be easily scraped off.

'High speed dross' usually forms a narrow bead along the bottom of the cut edge and is very difficult to remove. Usually it will need to be removed by grinding. When cutting troublesome steel, it is sometimes useful to reduce the cutting speed to produce 'low speed dross'. Any resultant clean up can then be accomplished by scraping, not grinding.



8 ACCESSORIES, SPARE PARTS & CIRCUIT DIAGRAMS

8.1 Plasma Torch and Spares:

The Plasma Torch supplied with the AdvanceCut45 is a Strata XT4000PT60 model. To view parts for this torch, see below table.



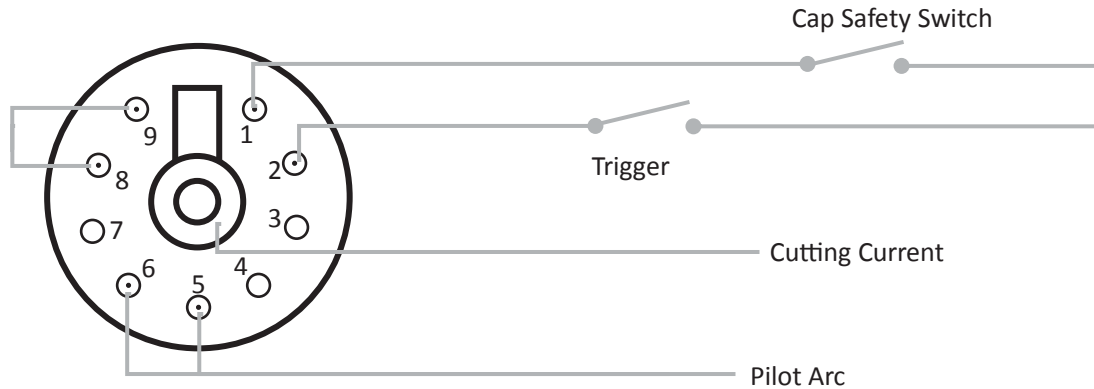
Torch Parts		
Ref.	Part No.	Description
1	XT4008	Spacer
2	XT4007	Retaining Cap
3	XT4006	Swirl Ring
4	XT4005-09	Tip 0.9mm Pk5
5	XT4003	Electrode Pk5

Table 4



Figure 16

8.2 Plasma Torch Pin Configuration



8.3 Machine Spare Parts

For machine parts, go to www.strata.co.nz or contact your Strata distributor.

Ref.	Description & Part No
1	Front Plastic Panel
2	Torch Socket
3	Dinse Earth Socket
4	Included in 5
5	Control Panel & PCB Assy
6	Control Panel Cover
7	Included in 5
8	Included in 5
Not shown	Control PCB
9	Cover Panel
10	Handle
11	Rear Panel
12	Air Regulator/Filter
13	On/Off Switch
14	Cable Clamp
15	Fan Grill
16	Fan
17	Air Solenoid Valve
18	Inductor
19	Solenoid valve bracket
20	Heat Sink
21	Heat Sink
22	Heat Sink
23	IGBT

Table 6

Ref.	Description & Part No
24	Support Pillar
25	Heat Sink
26	Heat Sink
27	Main Transformer
28	Insulation
29	Fast Recovery Diode
30	Bridge Rectifier
31	Thermistor
32	Fast Recovery Diode
33	Main PCB

Table 7

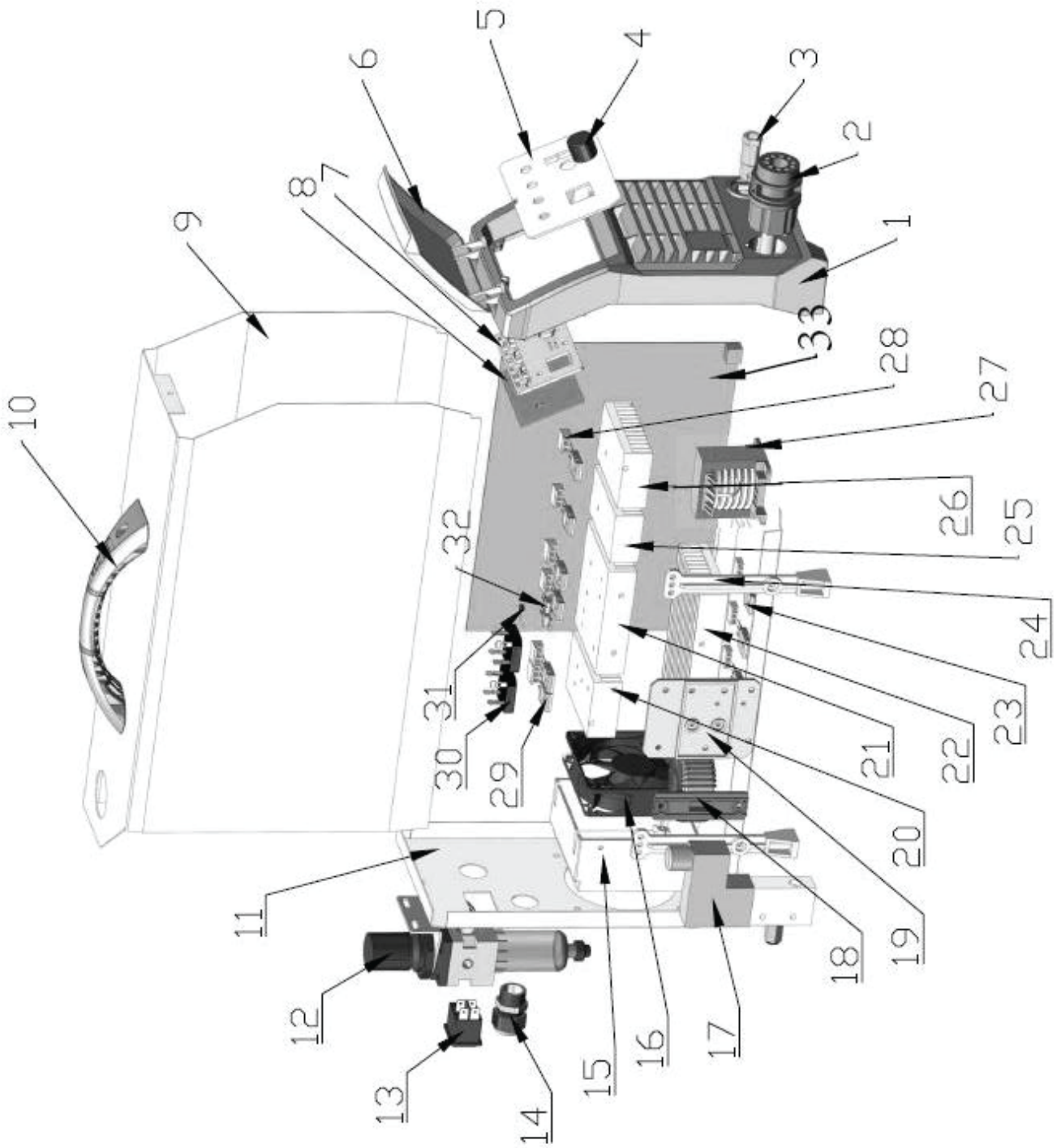


Figure 17

8.4 Primary Schematic Circuit Diagram

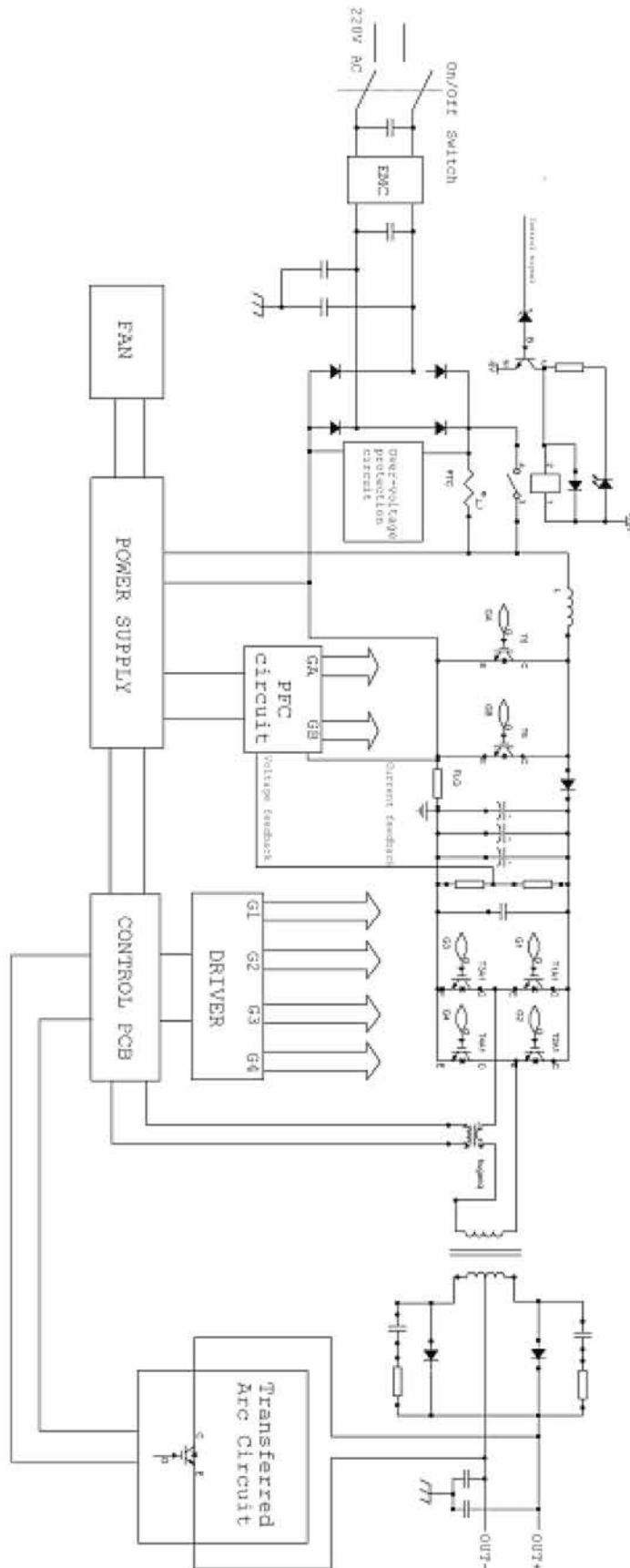


Figure 18



9 CARE & MAINTENANCE

9.1 Keep your Plasma Cutting Machine in Top Condition

The AdvanceCut45 does not require any special maintenance, however the user should take care of the machine as follows:

1. Regularly clean the ventilation slots
2. Keep the casing clean
3. Check all cables before use
4. Check electrode holders, work lead/clamps and cutting torches before use
5. Replace worn earth clamps which do not provide a good connection
6. Replace worn torch consumable parts in a timely manner
7. Use a soft cloth or brush to clean electrical components. Do not use liquid cleaning products, water or especially solvents
8. Do not use compressed air to clean electrical components as this can force dirt and dust further into components, causing electrical short circuits
9. Check for damaged parts

WARNING! Before performing cleaning/maintenance, replacing cables/connections, make sure the machine is switched off and disconnected from the power supply.

If damaged, before further use, the machine must be carefully checked by a qualified person to determine that it will operate properly. Check for breakage of parts, mountings and other conditions that may affect its operation.

Have your machine repaired by an expert. An authorised service centre should properly repair a damaged part.

This appliance is manufactured in accordance with relevant safety standards. Only experts must carry out repairing of electrical appliances, otherwise considerable danger for the user may result. Use only genuine replacement parts. Do not use modified or non-genuine parts.

9.2 Storing the Plasma Cutter

When not in use the machine should be stored in the dry, dust-free and frost-free environment.



10 GENERAL GUIDE TO PLASMA CUTTING

10.1 How does Plasma Cutting work?

Plasma technology works by ionising air such that it can conduct electricity. This ionized gas is used to produce an intense arc capable of cutting any electrically conductive material (i.e. all metals).

Plasma cutting only requires electricity and compressed air supply.

In simpler terms, Plasma cutters use an electric arc to cut or gouge metal, similar to Oxy cutting.

10.2 Duty Cycle Rating

Strata machines are fitted with thermal overload protection which means the machine will cut out when it reaches a certain temperature, to prevent damage to components. The machine will then re-start when it returns to a safe temperature.

Duty cycle is a measure of the percentage of time a machine will operate within a certain time period at a given amperage. For example a duty cycle of 40A @ 30% means that a machine will operate at 40A for 3 minutes in a 10 minute time period. The machine will have to rest for the remaining 7 minutes to enable it to cool down.

The international standard for duty cycle rating is based on an ambient air temperature of 40°C with 50% humidity, over a 10 minute period. In an environment with temperatures exceeding 40°C, the duty cycle will be less than stated. In ambient temperature less than 40°C, duty cycle performance will be higher. There are numerous other factors that can influence actual duty cycle performance.

10.3 Pilot Arc System

This machine uses a pilot arc system to establish the main cutting arc.

A pilot arc system is a circuit where the return is back through the torch head and cable. This means it can create a small arc with some cutting power without making any electrical connection with the main machine earth. This is especially useful for starting cuts on material that does not have a good initial earth connection, such as paint, rust, scale.

Once the pilot arc is established and power is flowing back through the main earth, the pilot arc is switched off and the main arc started. Please note the pilot arc circuit is only designed to operate for short periods of time as an auxiliary starting system, so it has a safety protection that only allows the pilot arc to run for short periods at a time.

In addition to this, this machine has a pilot arc controller system. If the main arc cuts out and the torch remains to be triggered, the pilot arc will reignite. This is useful for cutting discontinuous workpieces like mesh or grids.



ADVANCECUT 45

10.4 Plasma Torch Parts Wear & Replacement

It is very important to recognise that plasma torch consumables wear as part of normal operation and should be replaced in a timely manner.

Operating a torch with worn consumables will cause poor cutting results and possible damage to the torch and machine itself. Damage caused by untimely replacement of consumables will not be covered by warranty.

Use the following guidelines to determine when consumables should be replaced:

Cutting Tips: The cutting tip has a small calibrated orifice that the plasma passes through. If the orifice becomes partially blocked, deformed or enlarged, the cutting tip should be replaced.

Electrodes: The electrode has a small silver 'hafnium' insert in the end of the tip. This is what generates the plasma ions. Once the hafnium insert is gone or is damaged the tip must be replaced.

Swirl Ring: This should be replaced if broken, chipped, cracked, worn or badly heat damaged. The small air holes do wear over time. Whilst it is not usually visible with naked eye it can cause the flow & swirl of the air to be disrupted with causes an unstable or deformed arc.

Retaining Cap: This should be replaced if broken, chipped, cracked or badly heat damaged.

Tips and electrodes: These should wear reasonably evenly and it is normal practice to replace them both together. If a new tip is inserted with a worn electrode the tip will wear much more quickly than if the electrode was also replaced at that same time. If tips or electrodes are wearing much faster than the other component it is likely to be caused by one of the following:

- Wet or dirty air supply
- Incorrect air supply
- Poor operator technique
- Damaged torch head

It is also very important to only use genuine Strata consumables and parts for the plasma torch. They are engineered to suit the machine and non-genuine items may cause lack of performance, short life span, torch and machine damage and void warranty.



11 TROUBLESHOOTING

Problem	Cause	Solution
Torch will not come on/arc	Power switch OFF	Turn power switch to the ON position
	Air supply is not of sufficient volume or pressure	Check air supply (60-80psi, at least 3.5cfm required)
	Earth clamp not attached	Attach earth clamp to work piece or to steel table with work piece securely clamped to table
Sparks are shooting upward instead of down through the material	Plasma torch is not piecing the material	Increase amperage and/or reduce speed
	Travel speed too fast	Reduce travel speed
	Torch may be too far away from the material	The tip should be approximately 2mm above the material
	Material may be too thick for capacity of plasma	Several passes may be necessary or find some other method to cut the material
Beginning of cut not completely pierced	Possible earth connection problem	Check earth clamp is securely connected to the bare material. Check earth lead is securely plugged into machine. Ensure earth lead is in good condition.
Dross build-up on cuts	Material building up heat	Allow material to cool then continue cutting
	Incorrect speed / technique	Refer to 7.7 - Reducing Dross for Clean Cuts
	Worn torch parts	Replace with new torch parts
Arc stops in middle of cut	Insufficient air supply	Check air supply (60-80psi, at least 3.5cfm required). May have to wait for compressor to build up pressure again.
	Cutting speed is too slow	Increase cut speed until problem solved
	Tip to material distance is too high	Tip should be approximately 2mm off the material
	Worn torch parts	Replace with new torch parts
	Possible earth connection problem	Check earth clamp is securely connected to the bare material. Check earth lead is securely plugged into machine. Ensure earth lead is in good condition.
Insufficient penetration	Cutting speed too fast	Slow down travel speed
	Torch tilted too much	Adjust tilt
	Material may be too thick for capacity of plasma	Several passes may be necessary or find some other method to cut the material
	Worn torch parts	Replace with new torch parts



ADVANCECUT 45

Problem	Cause	Solution
Arc splutters/flares	Water in the air supply	Install air drier or additional filtration. Drain compressor and air lines.
Torch parts wear quickly	Wet or dirty air supply	Install air drier or additional filtration. Drain compressor and air lines.
	Exceeding unit capability	If material too thick, increase angle to prevent blow back into torch tip
	Excessive ignition Arc use	Do not operate ignition arc for more than 3 seconds – ideally start in contact with edge of material. Do not start ignition arc in mid-air.
	Inadequate air supply, pressure too low	Check air filters, increase air pressure
	Faulty air compressor	Check air compressor operation and make sure input air pressure is at least 100psi.
Circuit breaker/fuse trips while operating	Extension cord being used is not heavy duty	Use a heavy duty extension cord (2.5mm ²)
	Extension cord being used is too long	Remove extension cord or use shorter one.

12 KNOWLEDGE & RESOURCES

Please refer to Strata website www.strata.co.nz for more information.



13 SAFETY

13.1 Store and Retain this Manual

Retain this manual for the safety warnings and precautions, assembly, operating, inspection, maintenance and cleaning procedures. Write the product's serial number into the NOTES section at the rear, and keep this manual and the receipt in a safe and dry place for future reference.

13.2 Important Safety Information

Failure to follow the warnings and instructions may result in electric shock, fire, serious injury and/ or death. Save all warnings and instructions for future reference.

This is the safety alert symbol to alert you to potential personal injury hazards:



Obey all safety messages that follow this symbol to avoid possible injury or death.



DANGER! indicates a hazardous situation which, if not avoided, will result in death or serious injury.



WARNING! indicates a hazardous situation which, if not avoided, could result in death or serious injury.



CAUTION, used with the safety alert symbol, indicates a hazardous situation which, if not avoided, could result in minor or moderate injury.

NOTE, used to address practices not related to personal injury.

CAUTION, without the safety alert symbol, is used to address practices not related to personal injury.

13.3 General Safety Warnings

1. **Maintain labels and nameplates on the plasma cutter.** These carry important information. If unreadable or missing, contact Strata for a replacement.
2. **Avoid unintentional starting.** Make sure the plasma cutter is setup correctly and you are prepared to begin work before turning on the machine.
3. **Unplug before performing maintenance.** Always unplug the plasma cutter from its electrical outlet before performing any inspection, maintenance, or cleaning procedures.
4. **Never leave the plasma cutter unattended while plugged into power.** Turn power off before leaving the plasma cutter unattended.



ADVANCECUT 45

5. **Do not touch live electrical parts.** Wear dry, insulating gloves. Do not touch the torch tip when machine is plugged in. Do not wear wet or damaged gloves. Plasma uses high electric voltage which can cause serious harm or death.
6. **Protect yourself from electric shock.** Do not use the plasma cutter outdoors. Insulate yourself from the work piece and the ground. Use non-flammable, dry insulating material if possible, or use dry rubber mats, dry wood or plywood, or other dry insulating material large enough to cover the area of contact with the work or the ground.
7. **Avoid inhaling fume.** Some fume and dust created by plasma cutting contain chemicals known to cause cancer, birth defects or other harm. Your risk from these exposures varies, depending on how often you do this type of work. To reduce your exposure to these chemicals, work in a well-ventilated area, and work with approved safety equipment, such as dust masks that are specially designed to filter out microscopic particles.
8. **People with pacemakers should consult their physician(s) before using this machine.**



WARNING! *Electromagnetic fields in close proximity to a heart pacemaker could cause interference, or failure of the pacemaker. The use of a Plasma Cutter is NOT RECOMMENDED for pacemaker wearers. Consult your doctor.*

9. **Ensure that the unit is placed on a stable location before use.**



WARNING! *If this unit falls while plugged in, severe injury, electric shock, or fire may result.*

10. **Transportation Methods.** Lift unit with the handle provided, or use a handcart or similar device of adequate capacity. If using a fork lift vehicle, secure the unit to a skid before transporting.



CAUTION! *Disconnect input power conductors from de-energized supply line before moving the machine.*

11. **Exercise good work practices.** The warnings, precautions, and instructions discussed in this instruction manual cannot cover all possible conditions and situations that may occur. It must be understood by the operator that common sense and caution are factors which cannot be built into this product, but must be considered by the operator.
12. **Do not use this machine for pipe thawing.** This machine was not designed for pipe thawing and will be a significant electrical & heat hazard if attempt is made to use for thawing pipe.



ADVANCECUT 45

13.4 Plasma Cutting Safety Instructions & Warnings



WARNING! *Protect yourself and others from possible serious injury or death. Keep children away. Read the operating/Instruction manual before installing, operating or servicing this equipment. Have all installation, operation, maintenance, and repair work performed by qualified people.*

If an operator does not strictly observe all safety rules and take precautionary actions, plasma cutting and processes can cause serious injury or death, or damage to other equipment or property.

Safe practices have developed from past experience in the use of welding and cutting. These practices must be learned through study and training before using this equipment. Some of these practices apply to equipment connected to power lines; other practices apply to engine driven equipment. Anyone not having extensive training in welding and cutting practices should not attempt to use these machines.

Safe practices are outlined in the Australian Standard AS 1674.2 entitled: Safety in Welding and European Standard EN60974-1 entitled: Safety in welding and allied processes.



WARNING! *Only use safety equipment that has been approved by an appropriate standards agency. Unapproved safety equipment may not provide adequate protection. Eye and breathing protection must be AS/NZS compliant for the specific hazards in the work area.*



DANGER! *Always wear AS/NZS compliant safety glasses and full face shield fitted with appropriate filter shade number.*



CAUTION! *Heavy-duty work gloves, non-skid safety shoes and hearing protection used for appropriate conditions will reduce personal injuries.*



CAUTION! *Have the equipment serviced by a qualified repair person using identical replacement parts. This will ensure that the safety of the power tool is maintained.*



ADVANCECUT 45

13.4.1 Personal Safety



CAUTION! *Keep the work area well lit. Make sure there is adequate space surrounding the work area. Always keep the work area free of obstructions, grease, oil, trash, and other debris. Do not use equipment in areas near flammable chemicals, dust, and vapours. Do not use this product in a damp or wet location.*

1. **Stay alert, watch what you are doing and use common sense when operating equipment.** Do not use a tool while you are tired or under the influence of drugs, alcohol or medication. A moment of distraction when operating equipment may result in serious personal injury.
2. **Do not overreach.** Keep proper footing and balance at all times. This enables better control of the power tool in unexpected situations.

13.4.2 Arc Rays can Burn Eyes and Skin



CAUTION! *Arc rays from the plasma cutting process produce intense heat and strong ultraviolet rays that can burn eyes and skin.*

1. Use a Welding Helmet or Full Face Shield fitted with a proper shade filter (refer AS 60974-1, AS/NZS 1337.1 and AS/NZS 1338.1 Safety Standards) to protect your face and eyes when cutting or watching.
2. Wear approved safety glasses. Side shields are recommended.
3. Use protective screens or barriers to protect others from flash and glare; warn others not to watch the arc.
4. Wear protective clothing made from durable, flame-resistant material (wool and leather) and foot safety protection.
5. Never wear contact lenses while plasma cutting.

13.4.3 Noise Can Damage Hearing



CAUTION! *Noise from some processes can damage hearing. Use AS/NZS compliant ear plugs or ear muffs if the noise level is high.*



ADVANCECUT 45

13.4.4 Work Environment Safety



DANGER! Remove any combustible material from the work area.

1. When possible, move the work to a location well away from combustible materials. If relocation is not possible, protect the combustibles with a cover made of fire resistant material.
2. Remove or make safe all combustible materials for a radius of 10 metres around the work area. Use a fire resistant material to cover or block all doorways, windows, cracks, and other openings.
3. Enclose the work area with portable fire resistant screens. Protect combustible walls, ceilings, floors, etc., from sparks and heat with fire resistant covers.
4. If working on a metal wall, ceiling, etc., prevent ignition of combustibles on the other side by moving the combustibles to a safe location. If relocation of combustibles is not possible, designate someone to serve as a fire watch, equipped with a fire extinguisher, during the cutting process and well after the cutting is completed.
5. Do not weld or cut on materials having a combustible coating or combustible internal structure, as in walls or ceilings, without an approved method for eliminating the hazard.
6. After cutting or welding, make a thorough examination for evidence of fire. Be aware that visible smoke or flame may not be present for some time after the fire has started. Do not weld or cut in atmospheres containing dangerously reactive or flammable gases, vapours, liquids, and dust. Provide adequate ventilation in work areas to prevent accumulation of flammable gases, vapours, and dust.
7. Do not apply heat to a container that has held an unknown substance or a combustible material whose contents, when heated, can produce flammable or explosive vapours. Clean and purge containers before applying heat. Vent closed containers, including castings, before preheating, welding, or cutting.

13.4.5 Electricity Can Kill



DANGER! Touching live electrical parts can cause fatal shocks or severe burns.
The electrode and work circuit is electrically live whenever the output is on.

The input power circuit and machine internal circuits are also live when power is on. Incorrectly installed or improperly grounded equipment is a hazard.

1. Do not touch live electrical parts.
2. Wear dry, hole-free insulating gloves and body protection.
3. Insulate yourself from the work and the ground using dry insulating mats or covers.
4. Disconnect input power before installing or servicing this equipment. Lock input power, disconnect switch open, or remove line fuses so power cannot be turned on accidentally.
5. Properly install and ground this equipment according to national, state, and local codes.



ADVANCECUT 45

6. Turn off all equipment when not in use. Disconnect power to equipment if it will be left unattended or out of service.
7. Never dip the plasma torch in water to cool it.
8. Do not use worn, damaged, undersized, or poorly spliced cables.
9. Do not wrap cables around your body.
10. Connect work piece to a good electrical ground.
11. Do not touch the torch tip machine is connected to power supply.
12. Use only well-maintained equipment. Repair or replace damaged parts as soon as practical.

13.4.6 Fumes And Gases



WARNING! Plasma cutting produces fumes and gases. Breathing these fumes and gases can be hazardous to your health.

1. Keep your head out of the fumes. Do not breathe the fumes.
2. If inside, ventilate the area and/or use an exhaust at the arc to remove plasma cutting fumes and gases.
3. If ventilation is poor, use an approved supplied-air respirator (PAPR).
4. Read the Safety Data Sheets (SDS) and the manufacturer's instruction for the metals, consumables, coatings, and cleaners.
5. Work in a confined space only if it is well ventilated, or while wearing an air-supplied respirator. Be sure the breathing air is safe.
6. Do not use plasma cutter in locations near degreasing, cleaning, or spraying operations. The heat and rays of the arc can react with vapours to form highly toxic and irritating gases.
7. Do not plasma cut on coated metals, such as galvanized, lead, or cadmium plated steel, unless the coating is removed from the cut area, the area is well ventilated, and if necessary, while wearing an air-supplied respirator. The coatings and any metals containing these elements can give off toxic fumes if plasma cut.

13.4.7 Fire & Explosive Risks



WARNING! Sparks and spatter fly off when plasma cutting. The flying sparks and hot metal, weld spatter, work piece, and hot equipment can cause fires and burns.

Accidental contact of torch tip to metal objects can cause sparks, overheating, or fire.

1. Protect yourself and others from flying sparks and hot metal.
2. Do not operate where flying sparks can strike flammable material.
3. Remove all flammables within 10m of the plasma cutting site.



ADVANCECUT 45

4. Be alert that plasma cutting sparks and hot materials from plasma cutting can easily go through small cracks and openings to adjacent areas.
5. Watch for fire, and keep a fire extinguisher nearby.
6. Be aware that plasma cutting on a ceiling, floor, bulkhead, or partition can cause fire on the hidden side.
7. Do not plasma cut on closed containers such as tanks or drums.
8. Connect the work lead/clamp to the job as close to the plasma cutting area as practical to prevent plasma cutting current from traveling long, possibly unknown paths and causing electric shock and fire hazards.

13.4.8 Sparks & Hot Metal



WARNING! Chipping and grinding causes flying metal, and as welds cool they can throw off slag.

1. Wear an AS/NZS approved face shield or safety goggles. Side shields are recommended.
2. Wear appropriate safety equipment to protect the skin and body.



ADVANCECUT 45

Warranty

As part of an on-going commitment to excellence in product support, Euroquip offers a comprehensive product warranty program.

In order to qualify for full warranty support, your product must be registered. Product not registered with Euroquip is supported by a base 12 month warranty only. Spare parts and technical support will not be available for an unregistered product outside of this base warranty period. If a Euroquip dealer has not already registered your product, please register it online or download a physical registration form at www.euroquip.co.nz.

Registered warranty period for the AdvanceCut45:

Commercial Use: 36 Months

Domestic Use: 36 Months

Warranty covers failure caused by manufacturing and material defects in the product, during the warranty period specified. The warranty period begins when the product is purchased by the end user. Warranty is not transferrable and is only claimable by the original purchaser.

Warranty does not cover parts that are subject to wear and tear from usage.

Warranty covers failure of a product caused by defective materials and/or manufacturing for the period given and the usage specified by Euroquip. The warranty period begins when the product is purchased by the end user. Warranty is not transferrable and is only claimable by the original purchaser.

Warranty also does not cover failure caused by the untimely replacement or service of the above wearing parts. Evidence must be provided that the product has been maintained and serviced suitably for a claim to be considered under warranty.

Failure caused by incorrect operation of the product, lack of proper care and maintenance of the product, external damage, external circumstances such as contaminated fuel or poor water supply, modifications to the product, attempted repair/ service by a party other than an Approved Service Agent, is not covered under warranty.

Warranty does not cover pre delivery service and adjustment, or failure that may occur as a result of lack of/ incorrect pre delivery service and adjustment.

Warranty does not cover any incidental, indirect or consequential loss, damage or expense that may result from any defect, failure or malfunction of a product.

Should any issue be found to be a combination of a warranty failure and a non-warranty issue, the repair cost component to rectify and repair the non-warranty failure is the customers' full responsibility.

The decision that an issue with a product qualifies as a warranty claim is made at the sole jurisdiction of Euroquip.

No costs incurred will be considered under warranty if repairs are carried out by a party other than a Euroquip Approved Service Agent, unless with prior consent in writing from Euroquip.

It is the responsibility of the purchaser to deliver a product under warranty to the nearest relevant service agent or product reseller. Warranty does not cover call outs, mileage and freight costs.

If a product is repaired under warranty, parts and labour required for the repair will be supplied at no charge. Warranty assessment and repair will be scheduled and executed according to the normal work flow at the service location and depending on the availability of suitable replacement parts.

This warranty policy is an additional benefit and does not affect the legal rights of any end user, reseller or service agent.



Scan here to register your product

<http://www.euroquip.co.nz/Contact+Us/Product+Registration+Form.html>



ADVANCECUT 45

AdvanceCut45



40A @ 45%
Max Output

Steel \leq **16mm**
Max Recommended

Steel \leq **20mm**
Severance

15A
240V

8kg Compact, Robust & Lightweight

Reliable Pilot Arc Ignition
Non-iff avoids EMF interference.

PFC Power Factor Correction
Reduced power draw, increased Duty-cycle, ideal for long leads & generators

Generator Friendly
Min 8kva Ideal 10kva+

Intelligent Protection & Warning System
Prevents costly torch damage.

Stress-Tested
To 440V & Over-specified componentry for reliability.

3yr 3 Year Warranty*

Perforated Plate/Expanded Mesh Cutting Mode

High Quality Plasma Torch The 'make or break' of any plasma machine!

- Designed in Europe
- Longer consumables wear life & reduced running cost
- Euro-style quick-connection



*Standard warranty 12 month, extends to 36 months if registered.

Includes:

Plasma Torch 6m with Torch Parts Kit

Earth Lead 4m

Air Regulator with filter & Nitto air fitting

Long 3m Power Lead

Requires:
Air Compressor
Min 120 L/min (4.5cfm)
Free Air Delivery

Benefits of PFC (Power Factor Correction):

- Increased efficiency & reduced power draw
- Higher duty cycle
- Extension lead friendly up to 100m
- Ideal for Generator use
- Compensates for input power fluctuations

Part No.	Description
Advancecut45	40A PFC Inverter Plasma Cutter

Specifications

Description	Details		
Dimensions (incl. handle)	520L x W150 x H310 mm		
Standard	AS 60974.1		
Power Supply	240V 1-Phase		
Current Output	20A – 40A		
Duty Cycle	40A @ 44% 30A @ 100%		
Cut Capacity	Quality Cutting @ >200mm/min	Quality Cutting Max Recommended	Severance (Low Quality Cut)
Mild Steel	\leq 14mm	\leq 16mm	\leq 20mm
Stainless Steel	\leq 12mm	\leq 13mm	\leq 16mm
Aluminium	\leq 12mm	\leq 13mm	\leq 16mm



ADVANCECUT 45



ADVANCECUT 45



ADVANCECUT 45



Congratulations on your new STRATA product. We are proud to have you as our customer and will strive to provide you with the best service and reliability in the industry. This product is backed by our extensive warranty and world-wide service network. To locate your nearest distributor or service agency visit www.strata.co.nz, or email us at info@euroquip.co.nz.

www.strata.co.nz